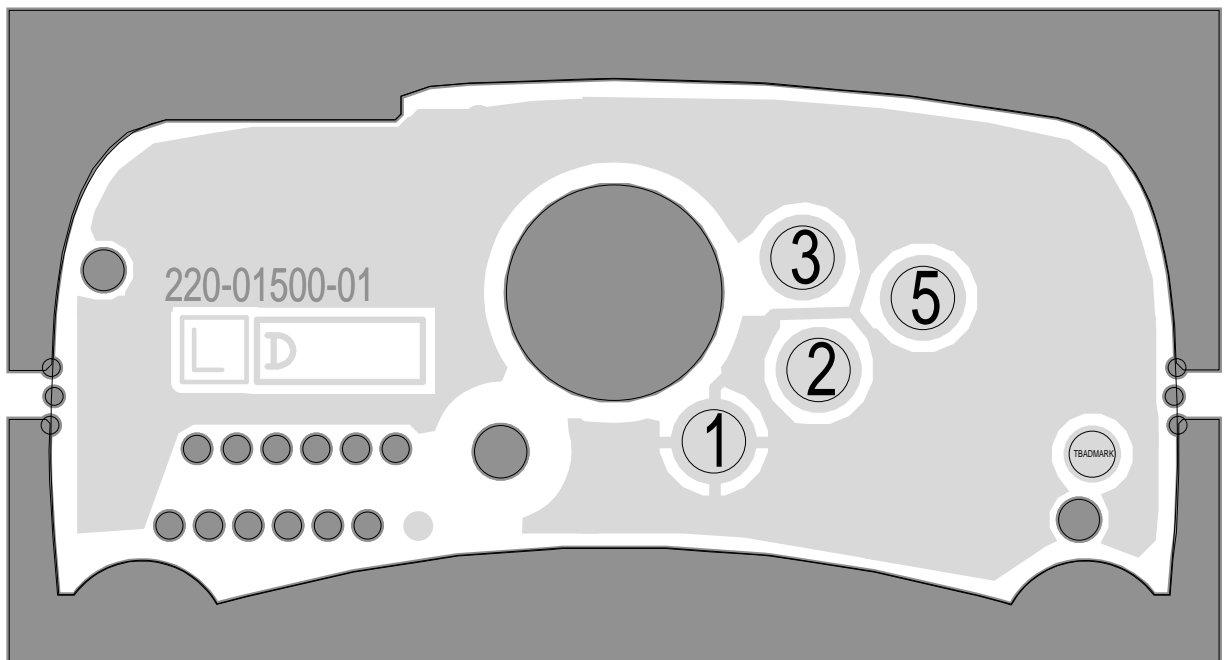


Used With
Programing Lead



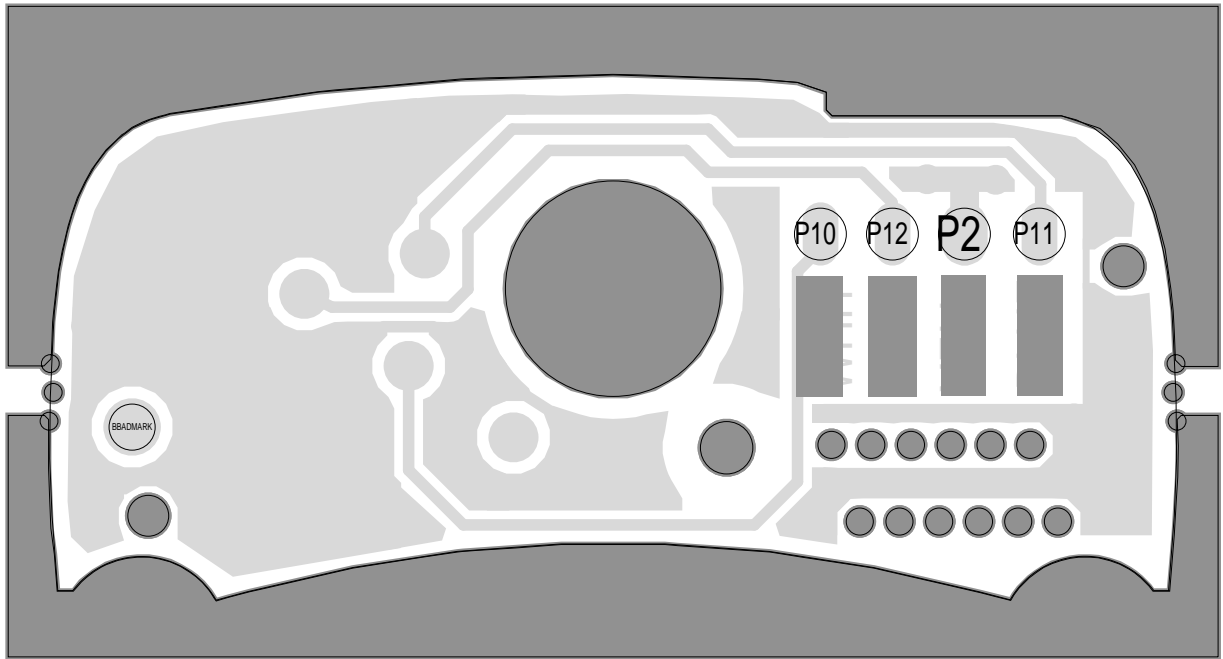
01A	ECO 501463	CJK				15-02-02
00C	SPRINGPROBES CHANGED TO = BAAN	BRD				16-10-01
00B	CHANGED PASTE SCREEN	BRD				22/09/98
00A	NEW IPN ISSUED	BRD				27/7/98
REV/ISS	AMENDMENTS	DRAWN	CHKD	D.O.	APVD	DATE

© TAIT ELECTRONICS					
ORCA					
PROGRAMMING LEAD CONNECTOR					
IPN:	ISSUE:	ID:			
220-01500-01	A	2.SC. 1			
PROJECT: ORCA	DESIGNER: CJK	FILE NAME: 150001a	FILE DATE: 21-Feb-02	NO. SHEETS: 1	



TAIT ELECTRONICS	IPN:	ISS:	ID:	DATE:
	220-01500-01	A	1.TA	20 Feb 2002
PROGRAMMING PCB LAYOUT - TOP SIDE				

Scale:3:1 ; Rotation: 0 degrees



TAIT ELECTRONICS	IPN:	ISS:	ID:	DATE:
	220-01500-01	A	2.BA	20 Feb 2002
PROGRAMMING PCB LAYOUT - BOTTOM SIDE				

Scale:3:1 ; Rotation: 0 degrees